



Roof Rack End Covers Are Loose or Missing

PROBLEM

Roof rack end covers are loose or missing.

CORRECTIVE ACTION

Replace the missing roof rack end covers and reinstall the loose end covers.

PARTS INFORMATION

Passenger's side

Roof Rack End Cover (right front)

P/N 75276-SX0-J01, H/C 4642906

Roof Rack End Cover Clip and Screw (right front)

P/N 75252-S0X-A01, H/C 6985063

Roof Rack End Cover (right rear)

P/N 75278-SX0-J01, H/C 4642922

Roof Rack End Cover Clip and Screw (right rear)

P/N 75253-S0X-A01, H/C 6985071

Driver's Side

Roof Rack End Cover (left front)

P/N 75286-SX0-J01, H/C 4642963

Roof Rack End Cover Clip and Screw (left front)

P/N 75262-S0X-A01, H/C 6985089

Roof Rack End cover (left rear)

P/N 75288-SX0-J01, H/C 4642989

Roof Rack End Cover Clip and Screw (left rear)

P/N 75263-S0X-A01, H/C 6985097

WARRANTY CLAIM INFORMATION

In warranty: The normal warranty applies.

Operation Number: 016102

Flat Rate Time: 0.2 hour

Failed Part:

P/N 75286-SX0-J01, H/C 4642963 (left front)

P/N 75288-SX0-J01, H/C 4642989 (left rear)

P/N 75276-SX0-J01, H/C 4642906 (right front)

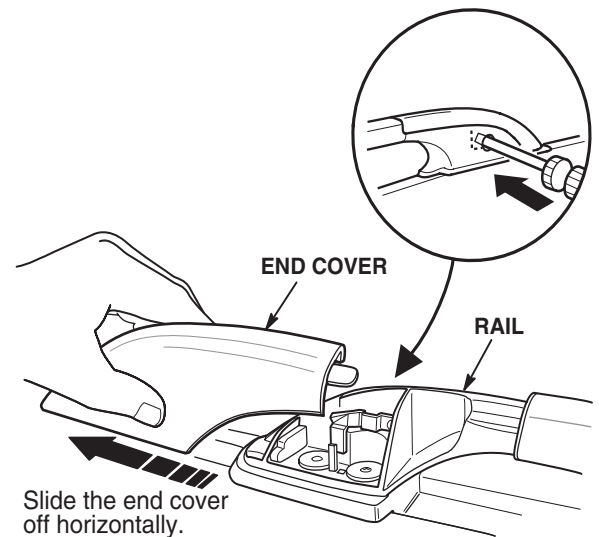
P/N 75278-SX0-J01, H/C 4642922 (right rear)

Defect Code: 074

Contention Code: A01

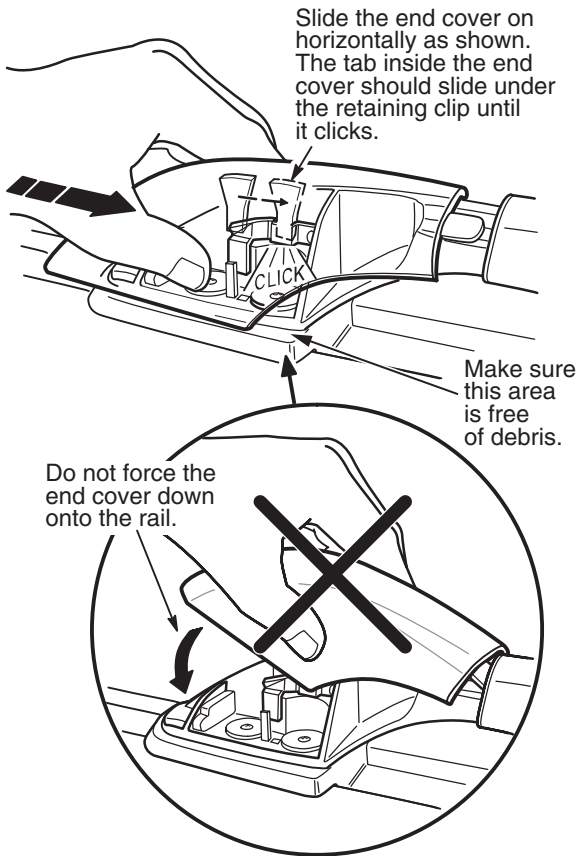
REPAIR PROCEDURE

1. Inspect all corners of the roof rack for loose or missing end covers. For loose end covers, go to step 2. For missing end covers go to step 3.
2. To remove a loose cover, insert a small flat-tip screwdriver into the hole on the inside of the roof rail base, release the retaining tab, then remove the cover.



3. Check the retaining clip. If the clip is pressing against the side of the rail, it's okay. If not, replace the retaining clip and screw.
4. Replace any missing roof rack end covers.

5. To install the end covers, position the end cover parallel to the rail, then carefully slide the cover into place until you hear it click. Do not force the cover onto the rail.



6. To test the installation, pull on the end cover 3 or 4 times to make sure it is secure.