



Applies To: **1996-99 Civic** – ALL
1996-97 CR-V – ALL

June 2000

Growl From A/C Idler Pulley

SYMPTOM

A growl from the air conditioning idler pulley at, or just above, idle.

PROBABLE CAUSE

The A/C idler pulley bearing is faulty.

CORRECTIVE ACTION

Replace the A/C idler pulley.

PARTS INFORMATION

A/C Idler Pulley Kit (Civic CX, DX, LX, HX, EX):
 P/N 38950-P2K-305

A/C Idler Pulley Kit (Civic Si, CR-V):
 P/N 38950-P3F-305

WARRANTY CLAIM INFORMATION

In warranty: The normal warranty applies.

Civic CX and DX *without* power steering

Operation Number: 614125

Flat Rate Time: 0.3

Civic Si, CX, DX, LX, HX, EX and CR-V *with* power steering

Operation Number: 614125A

Flat Rate Time: 0.6

Failed Part: 38942-P01-003

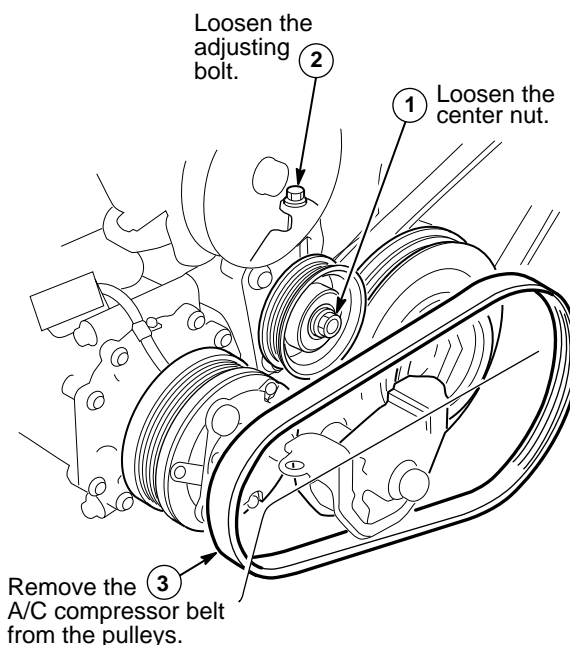
Defect Code: 042

REPAIR PROCEDURE

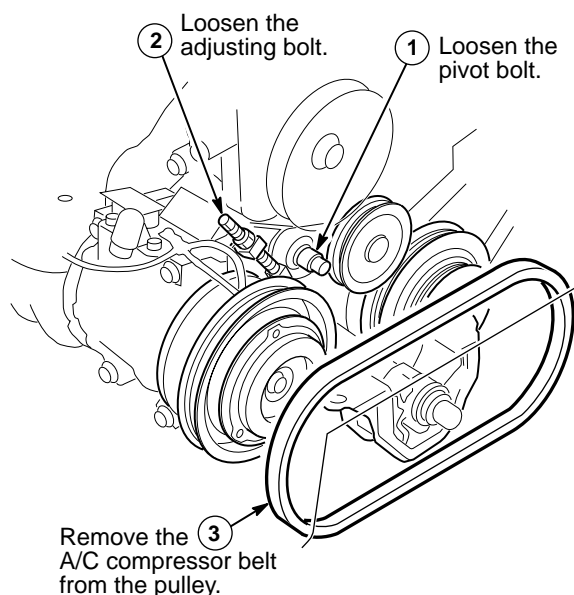
1. Remove the power steering belt.
2. Remove the power steering pump, and set it aside with the hoses connected.

3. Loosen the idler pulley, then remove the belt and let it hang from the engine mount.

Civic CX, DX, LX, HX, EX:

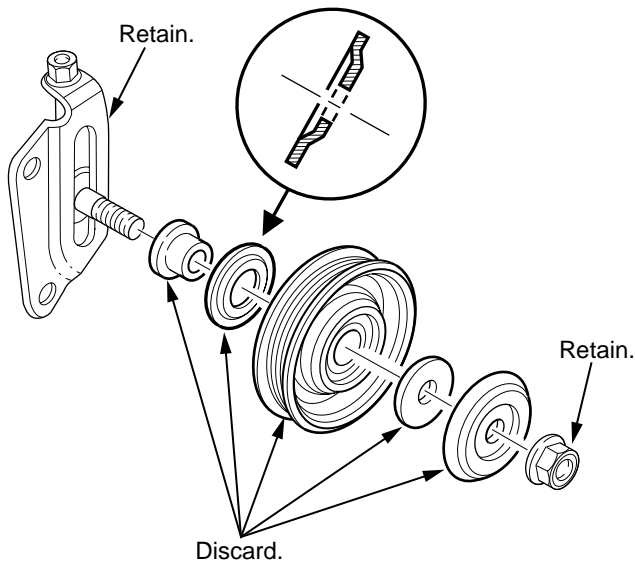


Civic Si, CR-V:

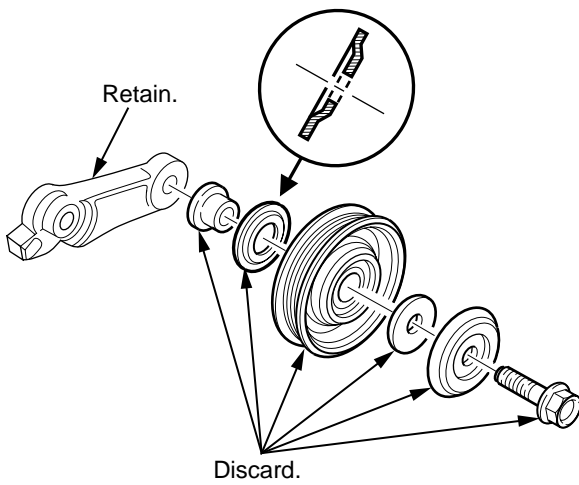


- Remove the idler pulley assembly, then disassemble it and discard the pulley and the parts shown.

Civic CX, DX, LX, HX, EX:



Civic Si, CR-V:



- Assemble the pulley with the parts from the appropriate kit listed under PARTS INFORMATION.
- Reinstall the power steering pump.
- Reinstall the belts, and adjust them to the tension specified in the appropriate shop manual.